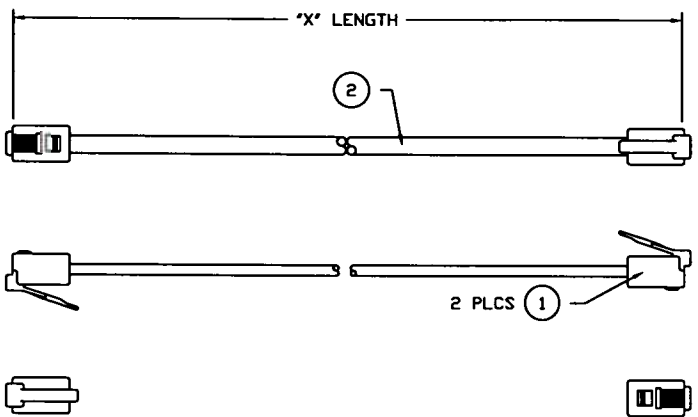


THESE DRAWINGS AND SPECIFICATIONS ARE THE SOLE PROPERTY OF I/O INTERCONNECT INC., U.S.A. AND SHALL NOT BE REPRODUCED, COPIED, OR USED IN ANY MANNER WITHOUT THE PRIOR WRITTEN CONSENT OF I/O INTERCONNECT INC. OR ITS AFFILIATED SUBSIDIARIES.

DWG. NO.	ZONE	REV.	DESCRIPTION	DATE	APPROVED
XX4-501-D		C	ECN C285	08/21/01	K.C.
		D	ADD NOTE & CHANGE P/N TO RHS COMPLIANT PER ECN D828	04/22/05	M.G.



WIRE DIAGRAM

P1		P2
1	BLACK	1
2	RED	2
3	GREEN	3
4	YELLOW	4

NOTES: UNLESS OTHERWISE SPECIFIED.

1. CABLE TO BE BUNDLED AND TWIST TIED.
2. TEST CABLE FOR ALL OPENS & SHORTS.
3. PACKAGE CABLE ASSEMBLY INDIVIDUALLY IN PLASTIC BAG. PACKAGE INDIVIDUAL BAG PER LOT NUMBER QUANTITIES.
4. MARK OUTSIDE OF SHIPPING BOX WITH DIGI-KEY PART NUMBER.
5. PLACE BAR CODE LABEL ON THE OUTSIDE OF EACH SHIPPING BOX LABEL DETAIL SEE DWG 090-990-001.
6. ALL METRICAL SHOULD BE ROHS COMPLIANT.

ITEM	QTY	MFG.	ID#	PART NO.	DESCRIPTION
2	"X"		ID#	GLF-120-418-010	MODULAR CABLE, 26 AWG (7/34) BARE COPPER, 4 CONDUCTOR, UNSHIELDED, BLACK PVC. ROHS COMPLIANT.
1	2 PCS		ID#	GLF-325-441-50X	CONNECTOR, MODULAR PLUG, 4 POSITION, 4 CONDUCTOR, 50u" Au, FLAT TYPE EXIT. ROHS COMPLIANT.

CABLE ASSEMBLY PARTS LIST

T.B.D.	GLF-444-254-501-D	25.0 FT ± 4.0 IN 7.62 M ± 101.6 MM
H2442-14-ND	GLF-444-144-501-D	14.0 FT ± 3.0 IN 4.27 M ± 76.2 MM
H2442-07-ND	GLF-444-074-501-D	7.0 FT ± 2.0 IN 2.13 M ± 50.8 MM
PART NUMBER DIGI-KEY	PART NUMBER I/O INTERCONNECT	LENGTH "X"
<small>UNLESS OTHERWISE NOTED: 1) DIMENSIONS ARE IN INCHES (MILLIMETER) 2) TOLERANCES: XXX ± 0.25 {6.35}</small>		TITLE: 4P4C MODULAR, REVERT STYLE, BLACK, CABLE ASSEMBLY P/N: H2442-XX-ND PART NO: GLF-444-XX4-501-D DWG NO: GLF-444-XX4-501-D CUSTOMER: DIGI-KEY REV.: D SCALE: NONE SHEET: 1 OF 1